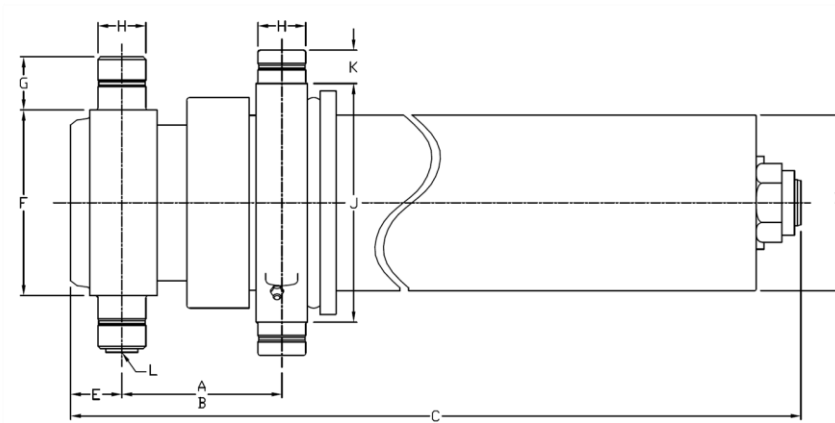


Technical information **Dimensions** **Imperial** **Metric**



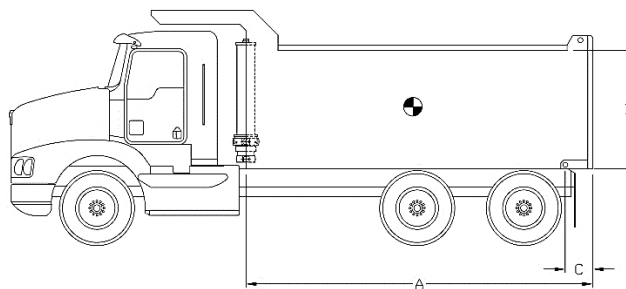
| Dimensions | Imperial | Metric |
|------------|-----------|----------|
| A (stroke) | 120.00 in | 3 048 mm |
| B (closed) | 6.25 in | 159 mm |
| C | 56.88 in | 1 445 mm |
| D | 6.63 in | 168 mm |
| E | 2.00 in | 51 mm |
| F | 7.00 in | 178 mm |
| G | 2.00 in | 51 mm |
| H | 1.88 in | 48 mm |
| J | 9.00 in | 229 mm |
| K | 1.25 in | 32 mm |
| L | SAE-12 | |

| Stage | Effective diameter | | Effective area | | Stroke | |
|-------|--------------------|--------|-----------------------|------------------------|----------|----------|
| 1 | 5.000 in | 127 mm | 19.64 in ² | 12 668 mm ² | 43.25 in | 1 099 mm |
| 2 | 4.250 in | 108 mm | 14.19 in ² | 9 152 mm ² | 43.44 in | 1 103 mm |
| 3 | 3.500 in | 89 mm | 9.62 in ² | 6 207 mm ² | 33.31 in | 846 mm |

| Specifications | Imperial | Metric |
|--------------------------------|---------------|-----------|
| Weight without hydraulic fluid | 336 lb | 153 kg |
| Hydraulic fluid volume | 8.8 gal. (US) | 33 l |
| Maximum working pressure | 2 750 psi | 190 bar |
| Maximum pump flow | 40 gpm | 151 lpm |
| Maximum cylinder capacity* | 29.6 US tons | 26 853 kg |

| Installation components | Model | Part no. |
|-------------------------|-------------|-------------|
| Block | B-1875 | PB3005002-A |
| Frame | AC-4030 | PF3000013 |
| Hinge | P-200 PEL-T | PP3004010 |

Cylinder capacity



A = Body Length
 B = Body height
 C = Overhang

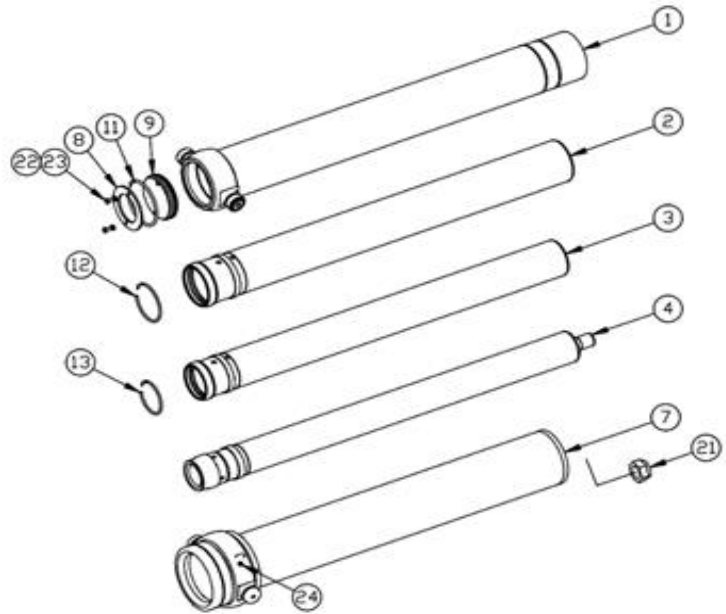
| Note: | Body length | 12.0 ft | | 13.0 ft | | 14.0 ft | |
|---|-------------|--|-------------|-------------|-------------|-------------|-------------|
| Cylinder capacities based on 90% of the maximum working pressure. | Overhang | 0 in | 6 in | 6 in | 12 in | 12 in | 18 in |
| | Dump angle | 49.5° | 51.8° | 47.4° | 49.5° | 45.4° | 47.4° |
| | Body height | Cylinder capacities in US tons at 2000 psi (at 2750 psi) | | | | | |
| For reference only. See www.mailhotindustries.com | 36 in | 24.3 (33.5) | 26.7 (36.8) | 24.7 (34.0) | 27.1 (37.2) | 25.2 (34.7) | 27.5 (37.8) |
| | 48 in | 26.2 (36.0) | 29.2 (40.2) | 26.5 (36.5) | 29.4 (40.4) | 26.9 (37.0) | 29.7 (40.8) |
| | 60 in | 28.4 (39.0) | 32.2 (44.3) | 28.6 (39.3) | 32.2 (44.2) | 28.8 (39.6) | 32.3 (44.4) |

* See product manual

Subject to change without notice, all rights reserved.

| Item | Part no. | Description |
|------|----------|-------------|
|------|----------|-------------|

| | | |
|---|-------------|----------------------|
| 1 | ROV059010-A | BASE TUBE Ø5.9 |
| 2 | RMG050152-A | SECTION Ø5 |
| 3 | RMG042151-A | SECTION Ø4.25 |
| 4 | RNV035026-A | LAST SECTION Ø3-1/2 |
| 7 | RK066115-A | COVER TUBE ASSEMBLED |
| 8 | RFG053006 | END CAP Ø5-3/8 |
| 9 | RFG053007 | END CAP Ø5-3/8 |



Snap ring kit Part no. : XB19G0503

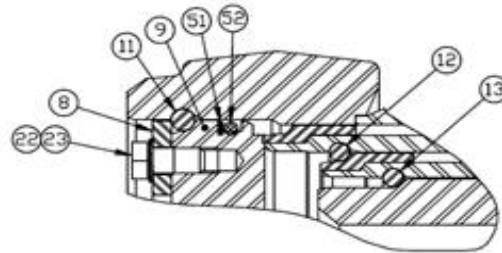
| Item | Description |
|------|-------------|
|------|-------------|

| | |
|----|------------------|
| 11 | SNAP RING Ø5-3/8 |
| 12 | SNAP RING Ø4-1/2 |
| 13 | SNAP RING Ø3-3/4 |

Hardware kit Part no. : ZX02G0503

| Item | Description |
|------|-------------|
|------|-------------|

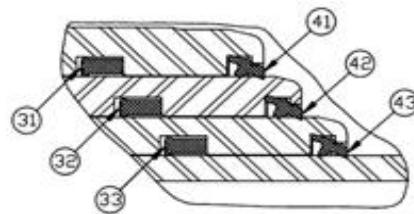
| | |
|----|--|
| 21 | STOVER NUT Ø1-3/4-12 NF GRADE C |
| 22 | SERRATED SPRING LOCK WASHER |
| 23 | HEX. BOLT Ø3/8-16 UNC X 3/4 LG GRADE 5 |
| 24 | GREASE FITTING STRAIGHT 1/8 NPT |



Seal kit Part no. : UI47G0503

| Item | Description |
|------|-------------|
|------|-------------|

| | |
|----|-----------------------------|
| 31 | U-CUP Ø5-3/8 X Ø5 X 3/8 |
| 32 | U-CUP Ø4-5/8 X Ø4-1/4 X 3/8 |
| 33 | U-CUP Ø3-7/8 X Ø3-1/2 X 3/8 |
| 41 | WIPER Ø5 |
| 42 | WIPER Ø4-1/4 |
| 43 | WIPER Ø3-1/2 |
| 51 | BACKUP RING Ø5-3/8 X Ø5 |
| 52 | O-RING Ø5-3/8 X Ø5 |



* See product manual

Subject to change without notice, all rights reserved.