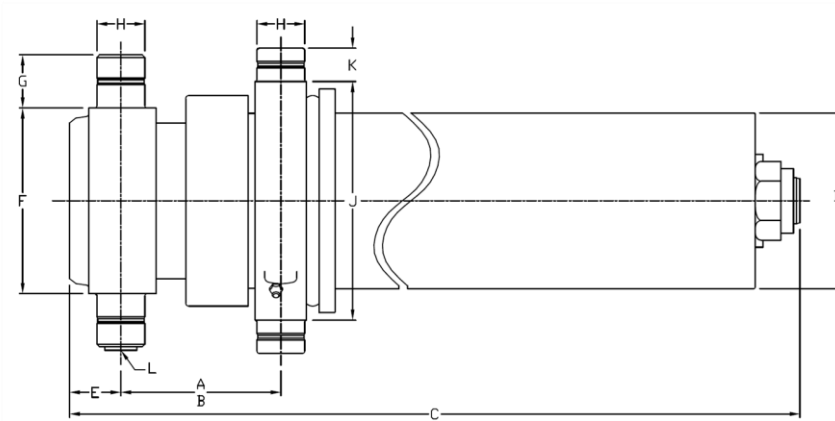


Technical information **Dimensions** **Imperial** **Metric**



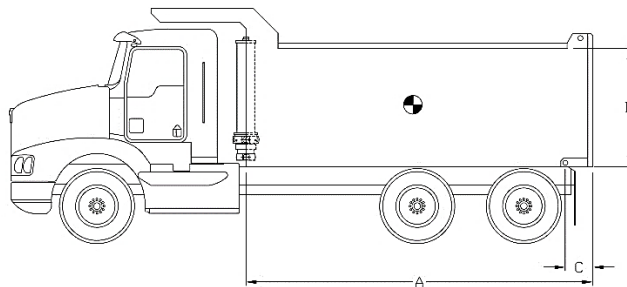
| Dimensions | Imperial | Metric |
|------------|-----------|----------|
| A (stroke) | 214.88 in | 5 458 mm |
| B (closed) | 7.63 in | 194 mm |
| C | 68.38 in | 1 737 mm |
| D | 7.50 in | 191 mm |
| E | 2.00 in | 51 mm |
| F | 8.00 in | 203 mm |
| G | 2.00 in | 51 mm |
| H | 2.25 in | 57 mm |
| J | 10.19 in | 259 mm |
| K | 1.50 in | 38 mm |
| L | SAE-16 | |

| Stage | Effective diameter | | Effective area | | Stroke | |
|-------|--------------------|--------|-----------------------|------------------------|----------|----------|
| 1 | 5.795 in | 147 mm | 26.38 in ² | 17 016 mm ² | 53.56 in | 1 361 mm |
| 2 | 5.000 in | 127 mm | 19.64 in ² | 12 668 mm ² | 53.94 in | 1 370 mm |
| 3 | 4.250 in | 108 mm | 14.19 in ² | 9 152 mm ² | 54.13 in | 1 375 mm |
| 4 | 3.500 in | 89 mm | 9.62 in ² | 6 207 mm ² | 53.25 in | 1 353 mm |

| Specifications | Imperial | Metric |
|--------------------------------|----------------|-----------|
| Weight without hydraulic fluid | 537 lb | 244 kg |
| Hydraulic fluid volume | 18.2 gal. (US) | 69 l |
| Maximum working pressure | 2 000 psi | 138 bar |
| Maximum pump flow | 40 gpm | 151 lpm |
| Maximum cylinder capacity* | 29.6 US tons | 26 853 kg |

| Installation components | Model | Part no. |
|-------------------------|-------------|-------------|
| Block | B-2250 | PB3005003-A |
| Frame | AC-4040 | PF3000014 |
| Hinge | P 200 PEL-T | PP3004010 |

Cylinder capacity



A = Body Length
 B = Body height
 C = Overhang

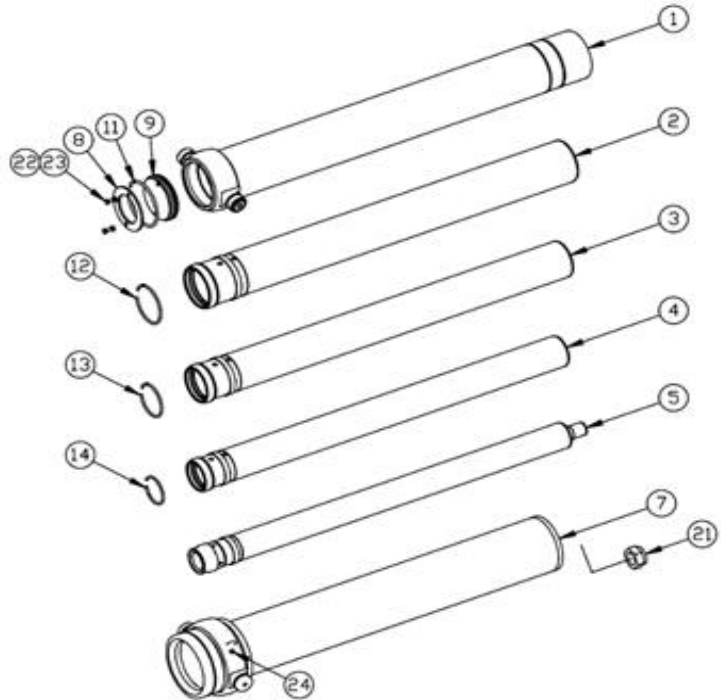
| Note: | Body length | 21.5 ft | | 23.0 ft | | 24.0 ft | |
|---|-------------|--|-------|---------|-------|---------|-------|
| Cylinder capacities based on 90% of the maximum working pressure. | Overhang | 6 in | 12 in | 6 in | 12 in | 12 in | 18 in |
| | Dump angle | 50.6° | 52.0° | 47.0° | 48.2° | 45.9° | 47.0° |
| | Body height | Cylinder capacities in US tons at 2000 psi | | | | | |
| For reference only. See www.mailhotindustries.com | 36 in | 23.7 | 24.9 | 22.7 | 23.6 | 22.9 | 23.9 |
| | 48 in | 24.8 | 26.1 | 23.5 | 24.5 | 23.7 | 24.8 |
| | 60 in | 25.9 | 27.4 | 24.4 | 25.6 | 24.6 | 25.8 |

* See product manual

Subject to change without notice, all rights reserved.

| Item | Part no. | Description |
|------|----------|-------------|
|------|----------|-------------|

| | | |
|---|-------------|---------------------|
| 1 | ROV067028-A | BASE TUBE Ø6.7 |
| 2 | RMG057128-A | SECTION Ø5.7 |
| 3 | RMG050129-A | SECTION Ø5 |
| 4 | RMG042130-A | SECTION Ø4.25 |
| 5 | RNV035056-A | SECTION Ø3.5 |
| 7 | RK075154-A | COVER TUBE ASSEMBLY |
| 8 | RFG062008 | END CAP Ø6.25 |
| 9 | RFG062009 | END CAP Ø6.25 |



Snap ring kit Part no. : XB19G0574

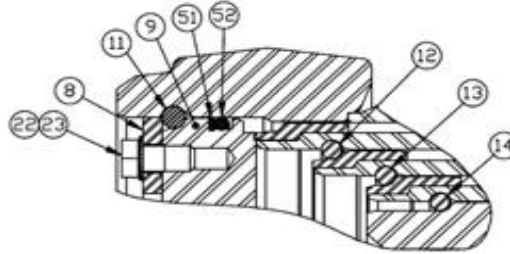
| Item | Description |
|------|-------------|
|------|-------------|

| | |
|----|-------------------|
| 11 | SNAP RING Ø6-3/16 |
| 12 | SNAP RING Ø5-1/4 |
| 13 | SNAP RING Ø4-1/2 |
| 14 | SNAP RING Ø3-3/4 |

Hardware kit Part no. : ZX02G0574

| Item | Description |
|------|-------------|
|------|-------------|

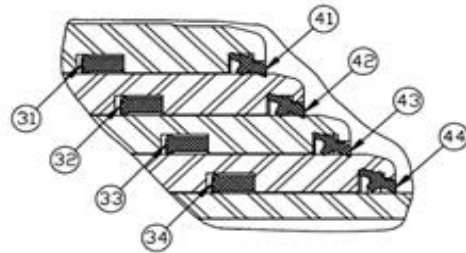
| | |
|----|--|
| 21 | STOVER NUT Ø1-3/4-12 NF GRADE C |
| 22 | SERRATED SPRING LOCK WASHER |
| 23 | HEX. BOLT Ø3/8-16 UNC X 3/4 LG GRADE 5 |
| 24 | GREASE FITTING STRAIGHT 1/8 NPT |



Seal kit Part no. : UI47G0574

| Item | Description |
|------|-------------|
|------|-------------|

| | |
|----|-----------------------------|
| 31 | U-CUP Ø6.170 X Ø5.795 X 3/8 |
| 32 | U-CUP Ø5-3/8 X Ø5 X 3/8 |
| 33 | U-CUP Ø4-5/8 X Ø4-1/4 X 3/8 |
| 34 | U-CUP Ø3-7/8 X 3-1/2 X 3/8 |
| 41 | WIPER Ø5.795 |
| 42 | WIPER Ø5 |
| 43 | WIPER Ø4-1/4 |
| 44 | WIPER Ø3-1/2 |
| 51 | BACKUP RING Ø6-1/8 X Ø5-3/4 |
| 52 | O-RING Ø6-1/8 X Ø5-3/4 |



* See product manual

Subject to change without notice, all rights reserved.